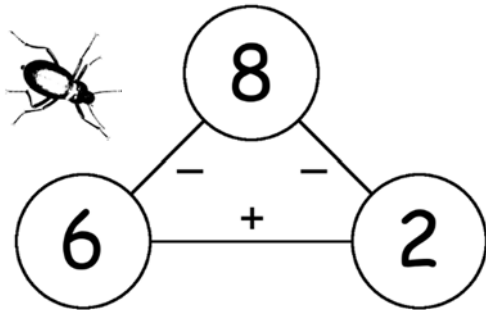
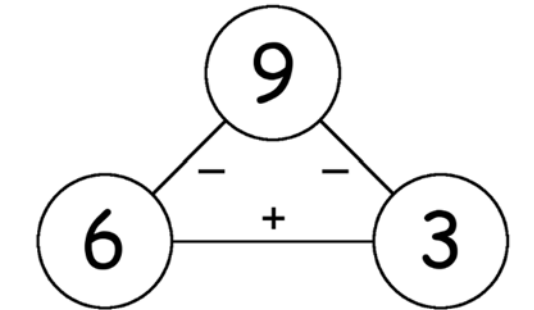
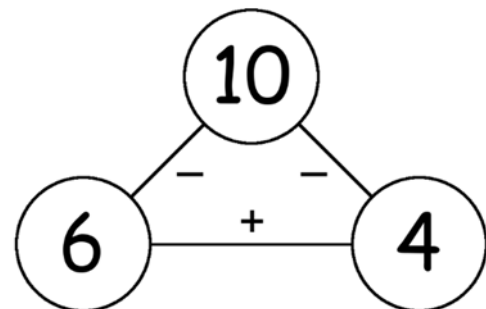


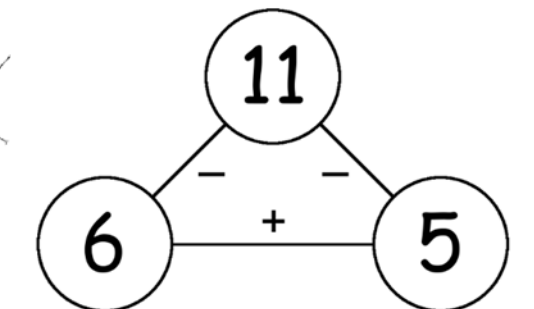
Fact Families I

From Day 61 to Day 80, use these worksheets to fill in fact families and facts.



$$\begin{array}{r} 6 + 2 = 8 \\ 2 + 6 = 8 \\ 8 - 2 = 6 \\ 8 - 6 = 2 \end{array}$$


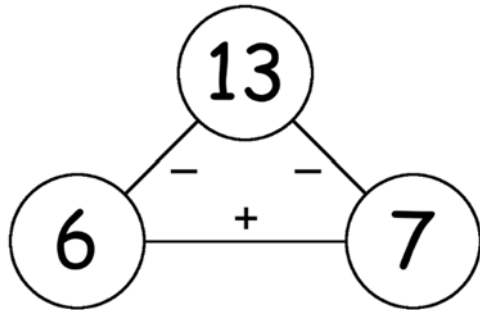
$$\begin{array}{r} 6 + 3 = 9 \\ 3 + 6 = 9 \\ 9 - 3 = 6 \\ 9 - 6 = 3 \end{array}$$


$$\begin{array}{r} 6 + 4 = 10 \\ 4 + 6 = 10 \\ 10 - 4 = 6 \\ 10 - 6 = 4 \end{array}$$


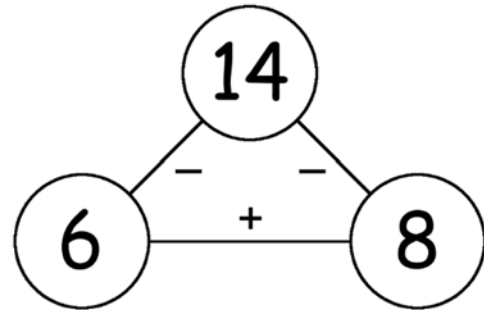
$$\begin{array}{r} 6 + 5 = 11 \\ 5 + 6 = 11 \\ 11 - 5 = 6 \\ 11 - 6 = 5 \end{array}$$

Fact Families II

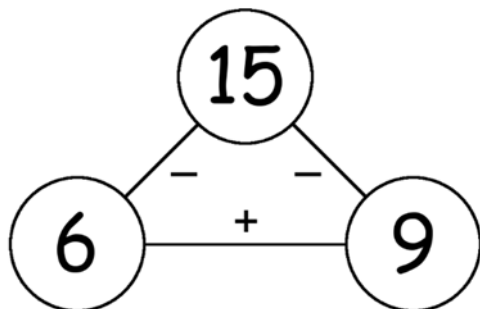
From Day 61 to Day 80, use these worksheets to fill in fact families.



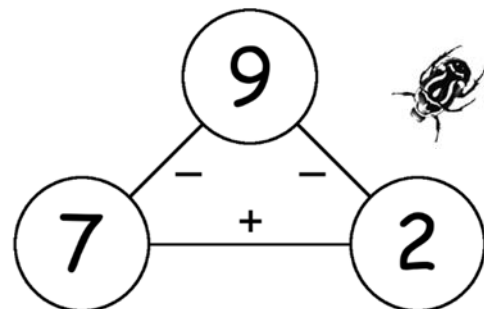
$$\begin{array}{r} 6 + 7 = 13 \\ 7 + 6 = 13 \\ 13 - 7 = 6 \\ 13 - 6 = 7 \end{array}$$



$$\begin{array}{r} 6 + 8 = 14 \\ 8 + 6 = 14 \\ 14 - 8 = 6 \\ 14 - 6 = 8 \end{array}$$



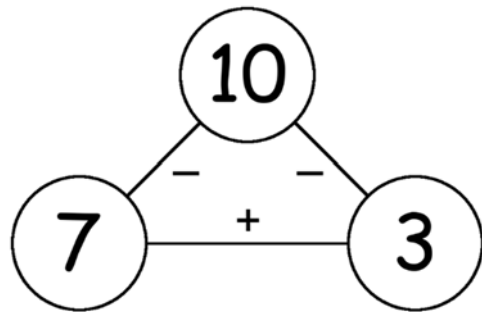
$$\begin{array}{r} 6 + 9 = 15 \\ 9 + 6 = 15 \\ 15 - 9 = 6 \\ 15 - 6 = 9 \end{array}$$



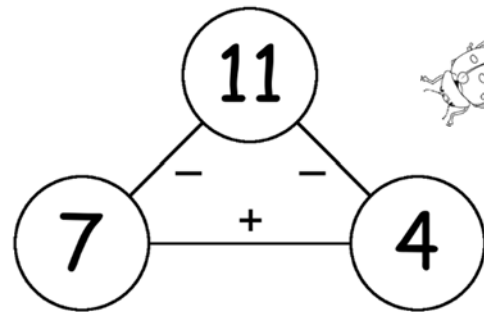
$$\begin{array}{r} 7 + 2 = 9 \\ 2 + 7 = 9 \\ 9 - 2 = 7 \\ 9 - 7 = 2 \end{array}$$

Fact Families III

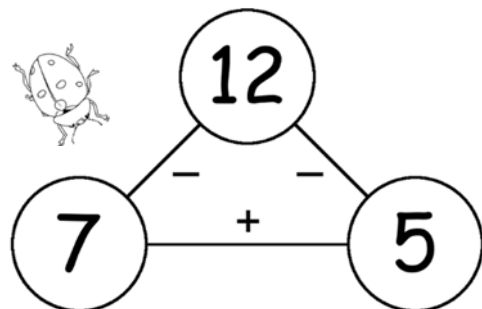
From Day 61 to Day 80, use these worksheets to fill in fact families.



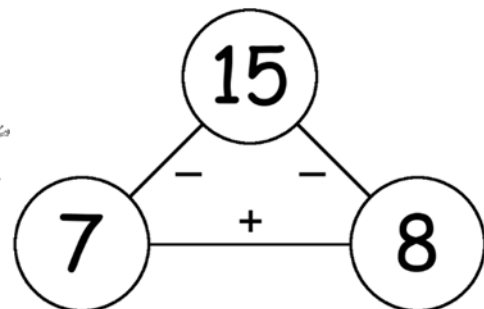
$$\begin{array}{r} 7 + 3 = 10 \\ 3 + 7 = 10 \\ 10 - 3 = 7 \\ 10 - 7 = 3 \end{array}$$



$$\begin{array}{r} 7 + 4 = 11 \\ 4 + 7 = 11 \\ 11 - 4 = 7 \\ 11 - 7 = 4 \end{array}$$



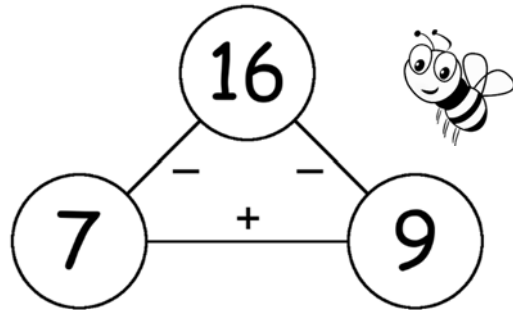
$$\begin{array}{r} 7 + 5 = 12 \\ 5 + 7 = 12 \\ 12 - 5 = 7 \\ 12 - 7 = 5 \end{array}$$



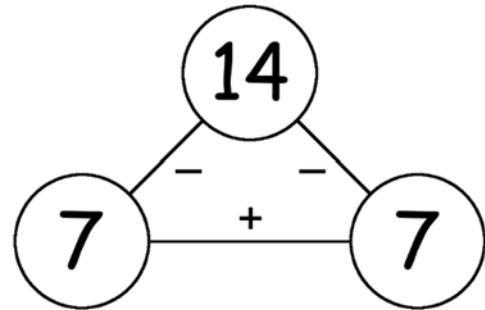
$$\begin{array}{r} 7 + 8 = 15 \\ 8 + 7 = 15 \\ 15 - 8 = 7 \\ 15 - 7 = 8 \end{array}$$

Fact Families IV

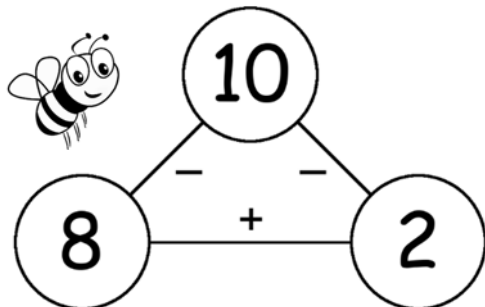
From Day 61 to Day 80, use these worksheets to fill in fact families.



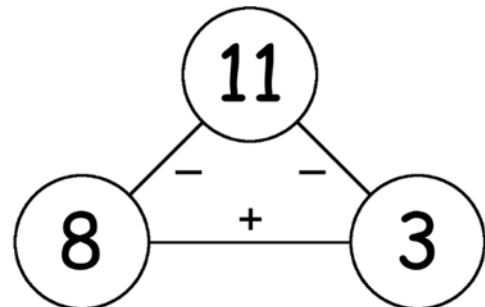
$$\begin{array}{r} 7 + 9 = 16 \\ \hline 9 + 7 = 16 \\ \hline 16 - 9 = 7 \\ \hline 16 - 7 = 9 \\ \hline \end{array}$$



$$\begin{array}{r} 7 + 7 = 14 \\ \hline \quad + \quad = \quad \\ \hline 14 - 7 = 7 \\ \hline \quad - \quad = \quad \\ \hline \end{array}$$



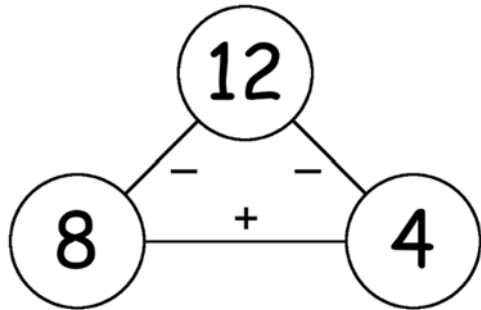
$$\begin{array}{r} 8 + 2 = 10 \\ \hline 2 + 8 = 10 \\ \hline 10 - 2 = 8 \\ \hline 10 - 8 = 2 \\ \hline \end{array}$$



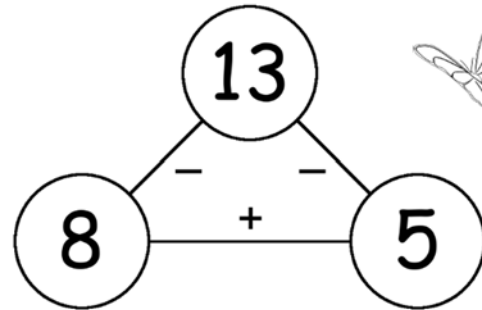
$$\begin{array}{r} 8 + 3 = 11 \\ \hline 3 + 8 = 11 \\ \hline 11 - 3 = 8 \\ \hline 11 - 8 = 3 \\ \hline \end{array}$$

Fact Families v

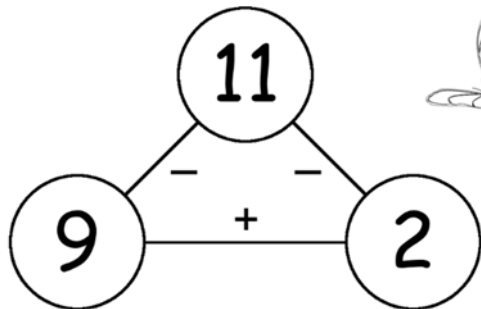
From Day 61 to Day 80, use these worksheets to fill in fact families.



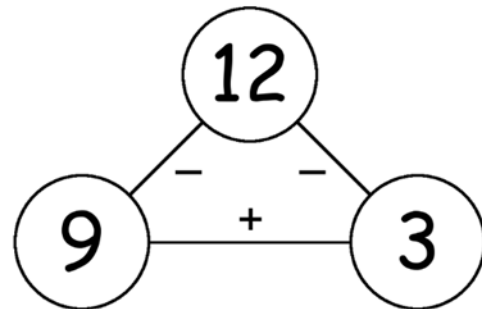
$$\begin{array}{r} 8 + 4 = 12 \\ 4 + 8 = 12 \\ 12 - 4 = 8 \\ 12 - 8 = 4 \end{array}$$



$$\begin{array}{r} 8 + 5 = 13 \\ 5 + 8 = 13 \\ 13 - 5 = 8 \\ 13 - 8 = 5 \end{array}$$



$$\begin{array}{r} 9 + 2 = 11 \\ 2 + 9 = 11 \\ 11 - 2 = 9 \\ 11 - 9 = 2 \end{array}$$

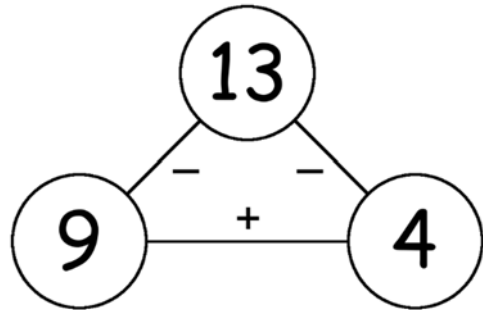


$$\begin{array}{r} 9 + 3 = 12 \\ 3 + 9 = 12 \\ 12 - 3 = 9 \\ 12 - 9 = 3 \end{array}$$

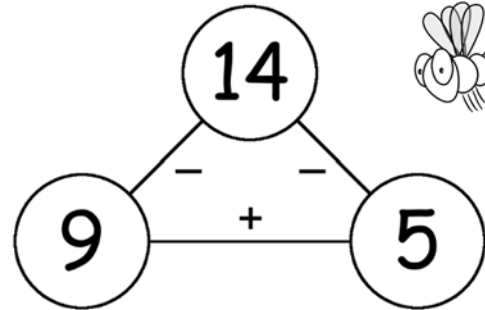


Fact Families VI

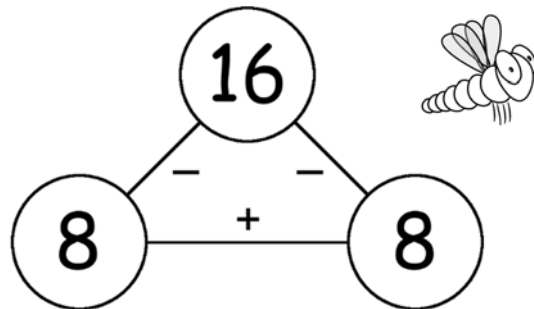
From Day 61 to Day 80, use these worksheets to fill in fact families.



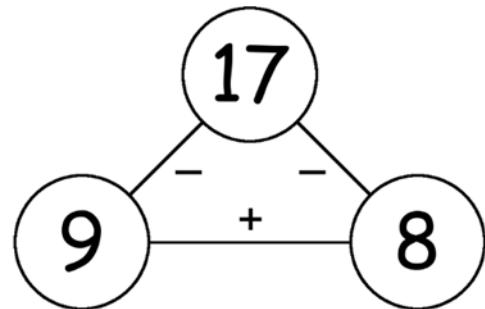
$$\begin{array}{r} 9 + 4 = 13 \\ 4 + 9 = 13 \\ 13 - 4 = 9 \\ 13 - 9 = 4 \end{array}$$



$$\begin{array}{r} 9 + 5 = 14 \\ 5 + 9 = 14 \\ 14 - 5 = 9 \\ 14 - 9 = 5 \end{array}$$



$$\begin{array}{r} 8 + 8 = 16 \\ \quad + \quad = \\ 16 - 8 = 8 \\ \quad - \quad = \end{array}$$

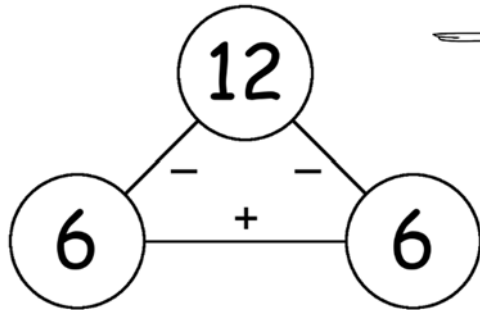


$$\begin{array}{r} 9 + 8 = 17 \\ 8 + 9 = 17 \\ 17 - 8 = 9 \\ 17 - 9 = 8 \end{array}$$



Fact Families VII

From Day 61 to Day 80, use these worksheets to fill in fact families.

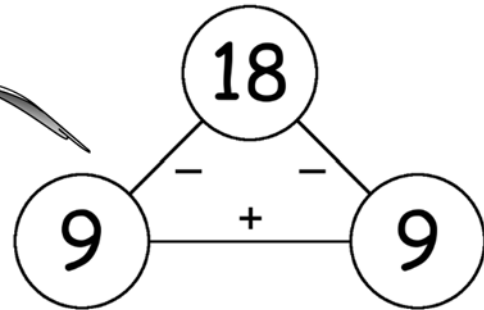


$$6 + 6 = 12$$

$$\underline{\quad} + \underline{\quad} = \underline{\quad}$$

$$12 - 6 = 6$$

$$\underline{\quad} - \underline{\quad} = \underline{\quad}$$



$$9 + 9 = 18$$

$$\underline{\quad} + \underline{\quad} = \underline{\quad}$$

$$18 - 9 = 9$$

$$\underline{\quad} - \underline{\quad} = \underline{\quad}$$

