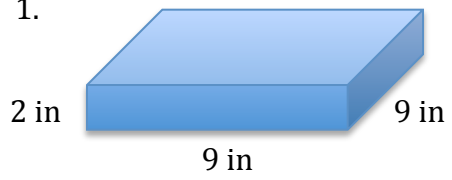
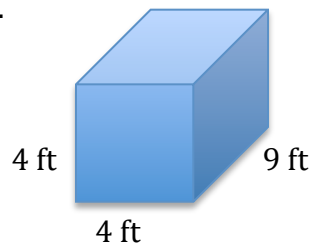


Volume of Prisms Assignment  
Find the volume of each prism.

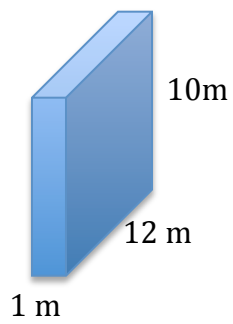
1.



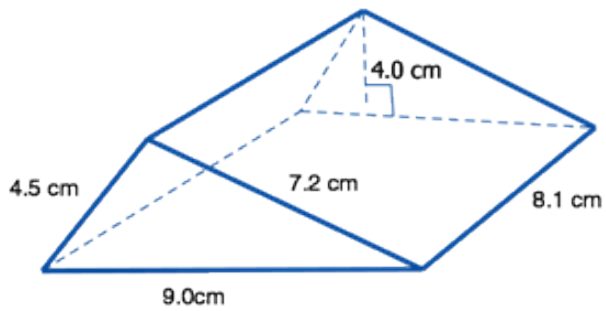
2.

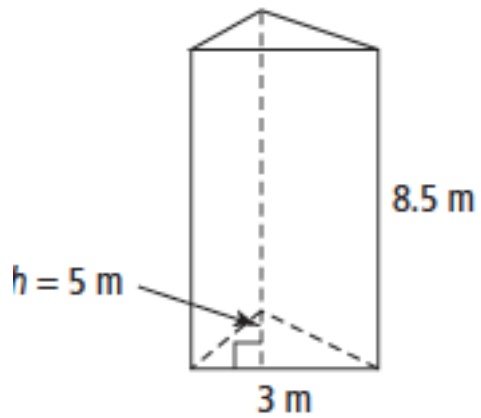


3.

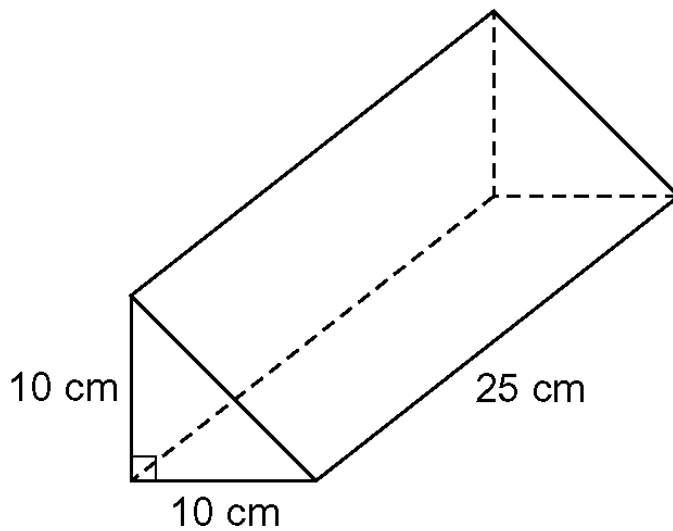


4.





5.



6.

Find the missing measurement.

7.  $w = 25$  ft,  $h = 4$  ft,  $V = 300$  ft<sup>3</sup>, find  $l$ .

8.  $l = 9$  in,  $h = 5$  in,  $V = 900$  in<sup>3</sup>, find  $w$ .

9.  $B = 9.28$  cm,  $V = 55.68$  cm<sup>3</sup>, find  $h$ (triangular prism)